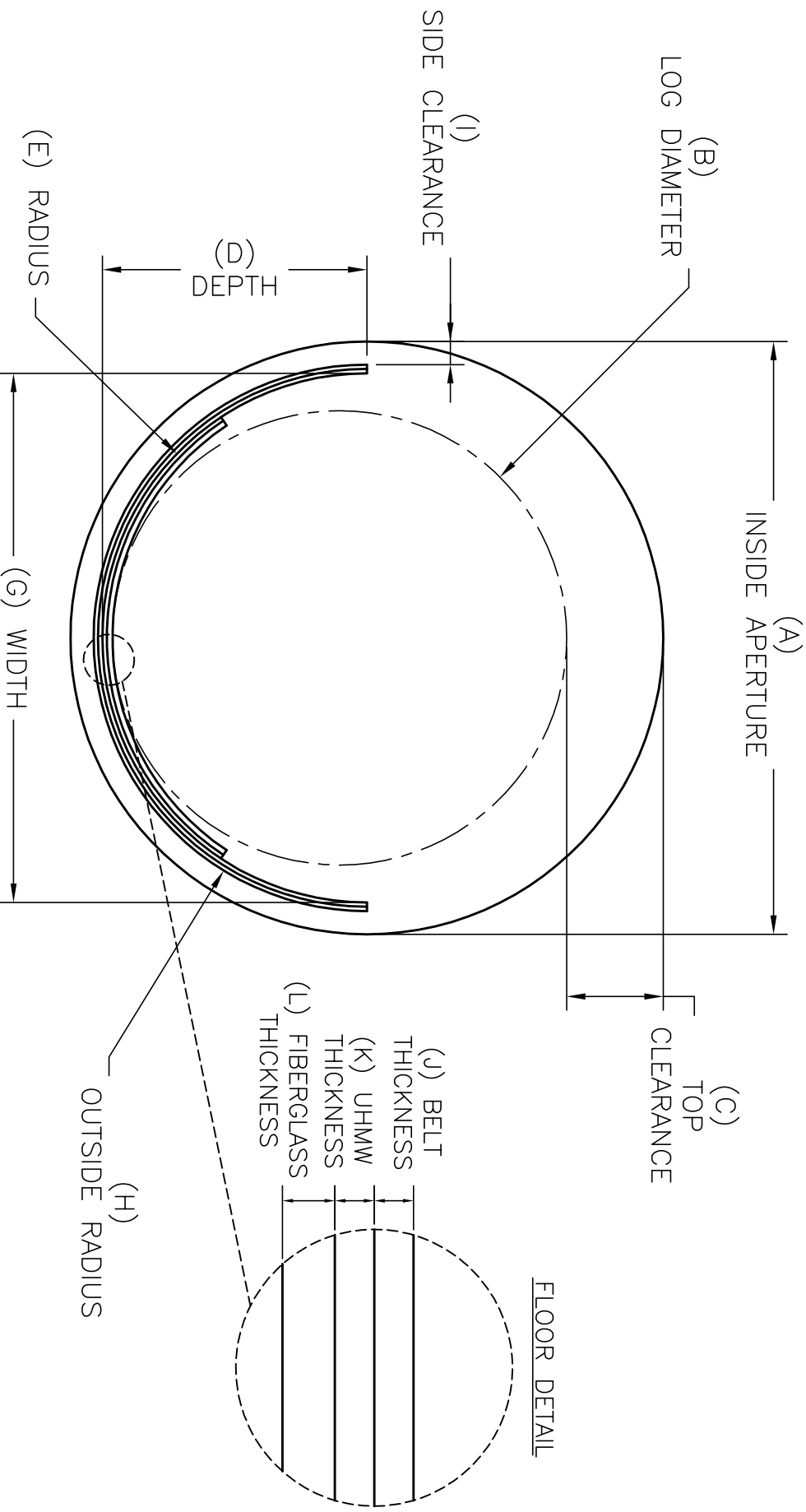


TYPICAL "HALF PIPE LOG IN TROUGH" CONFIGURATION



- BELT WIDTH (M)
- UHMW FLATTENED WIDTH (N)
- FIBERGLASS FLATTENED WIDTH (O)
- FIBERGLASS SECTION LENGTH (F)