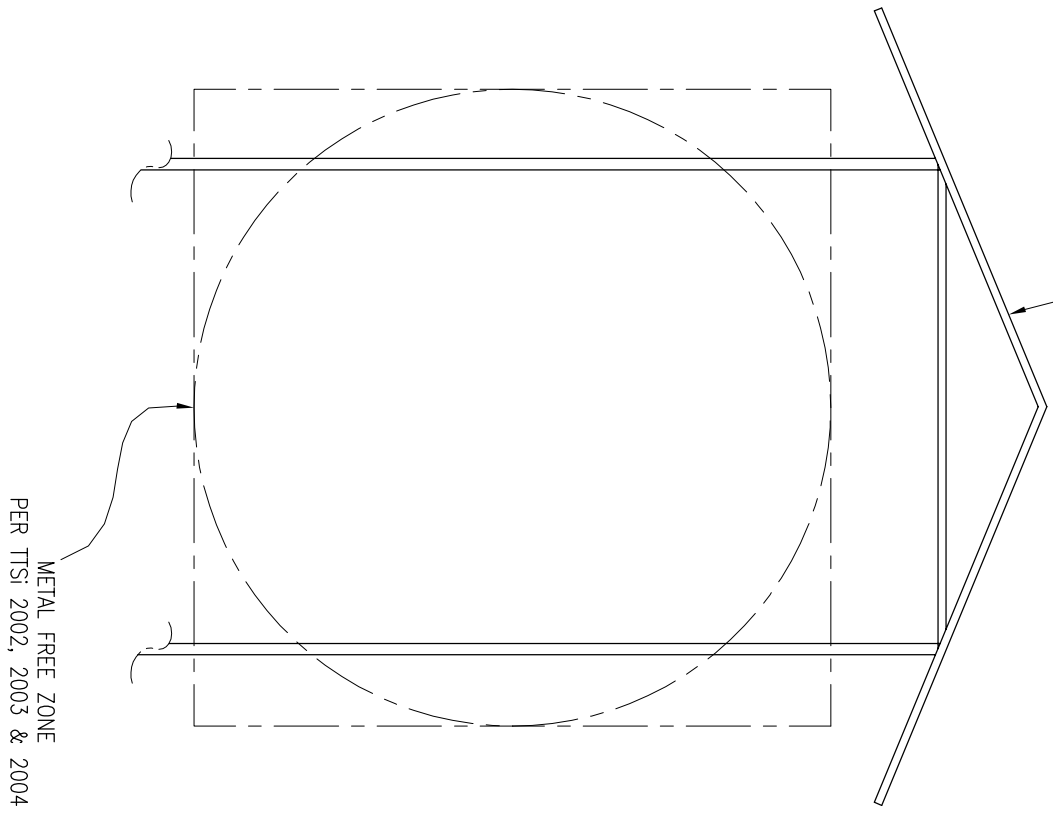


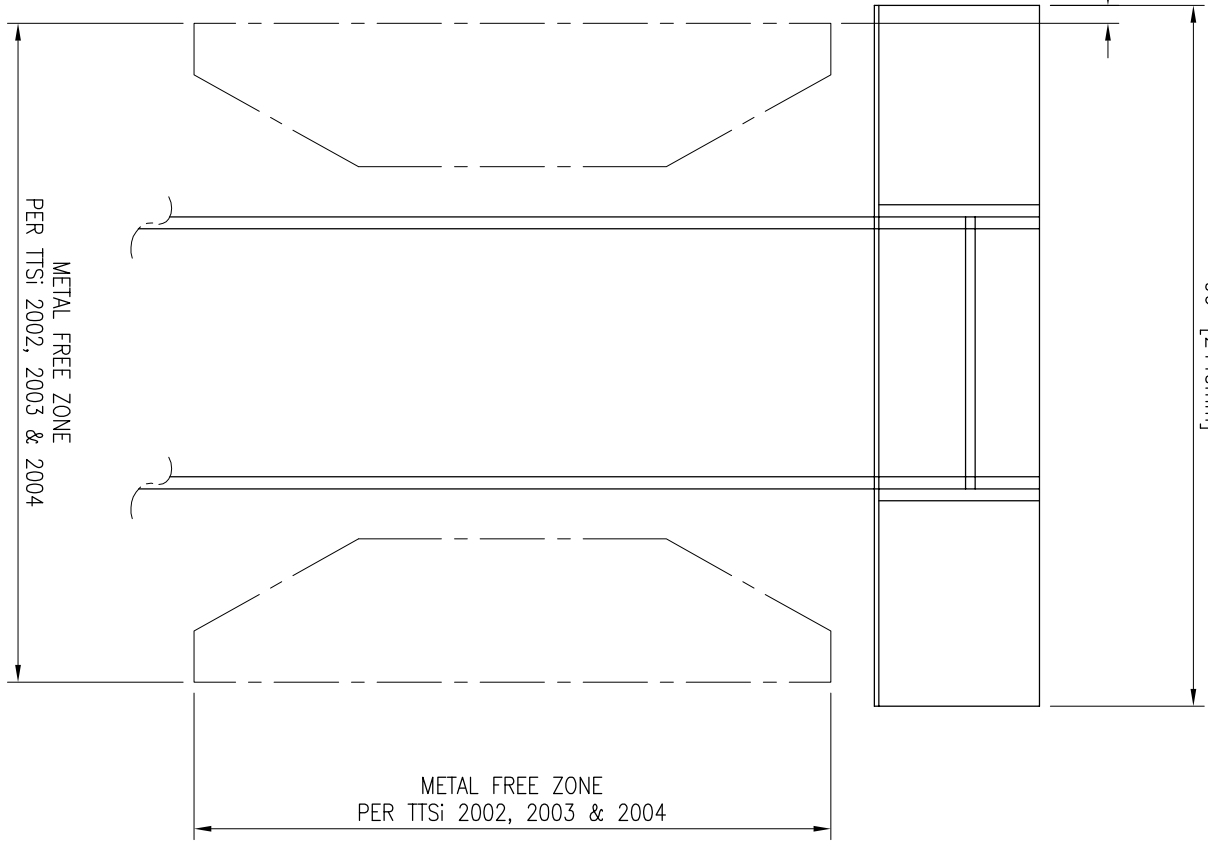
WOOD OR CORRUGATED PLASTIC ROOF

CRITICAL "VIEWING WINDOW" WITHIN THE METAL FREE ZONE [TO CALCULATE: (MFZ - Ltotal/2) PER TTSi: 2002, 2003 & 2004]



METAL FREE ZONE PER TTSi: 2002, 2003 & 2004

96" [2440mm]



METAL FREE ZONE PER TTSi: 2002, 2003 & 2004

METAL FREE ZONE PER TTSi: 2002, 2003 & 2004



DESCRIPTION : TYPICAL METAL DETECTOR SHED ROOF

MAR 2007

DWG.

TTSi-2000E